



Prolinea Espag Handle

The Prolinea Espag Handle, designed by Mila's in-house product design team, is available in cranked and inline versions and features a contemporary new rose and screw cover cap. The rose cleverly conceals an internal 90 degree stop which prevents gearbox overstressing and, in turn, a colour matched screw cap covers the whole of the rose. This results in a handle with minimal, modern sight lines.

The ergonomic push button assembly provides smooth operation and meets child safety regulations. Finger grips provide optimum comfort when the handle is in use. The Prolinea espag handle is available in locking, non-locking and green button egress versions

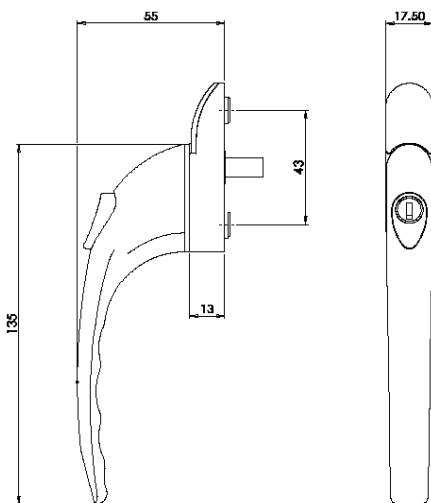
for emergency exit requirements. Precision manufactured from a high performance zinc alloy, the Prolinea espag handle has been successfully tested to 500,000 cycles – more than twenty times the standard requirement - at the UKAS accredited Mila Test Centre. It is supplied with a ten year mechanical warranty and a two year labour guarantee.

The Prolinea espag handle is available in 15mm, 20mm, 30mm and 40mm pin lengths and in a range of finishes including two new finishes – smokey chrome and satin silver as well as white, polished gold and polished chrome. All finishes come complete with fixing screws as standard.

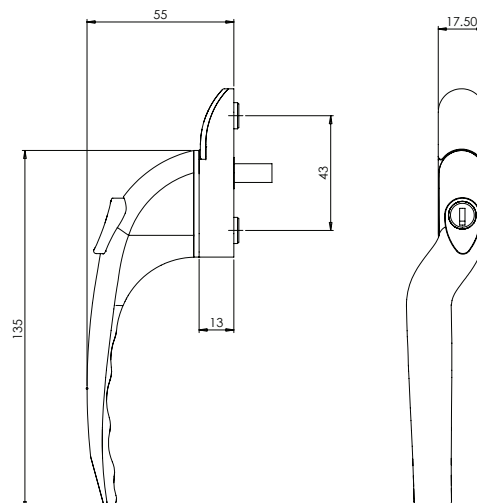
Technical Specification

Pin Lengths	15mm - 40mm
Style	Inline & Cranked
Type	Locking, Non-Locking, Green Button Egress
Finishes	White, Gold, Chrome, Smokey Chrome, Satin Silver
Box Quantity	20

Inline Handle



Cranked Handle



Product Guarantee & Accreditation

Mechanical Guarantee	10 years
Labour Guarantee	2 years